

## SLIDE CONNECTOR 1529

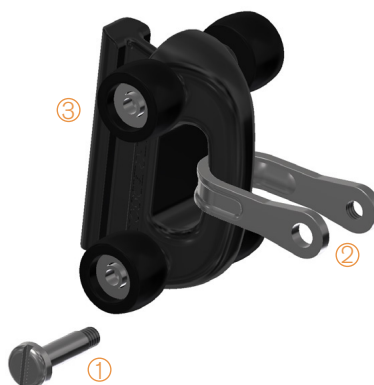
### User Manual for Slide Connector 1529

This manual describes how to install Rutgerson Slide Connector.

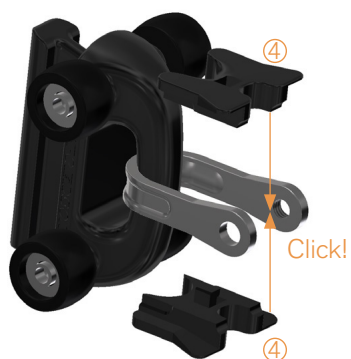
It is a simple, yet clever product designed to be used as a linkage between our batten receptacles and pressure absorbing slides. It effectively transfers the pressure from the batten onto the slide and works as a cost-efficient alternative to standard battcars on boats up to 35 feet.

It is made of stainless steel and black composite and has a threaded M10 stud in one end and a universal toggle in the other.

The Slide Connector is developed exclusively for Rutgerson's Pressure Absorbing Slides and recommended to be used with batten receptacle 1580 or 1587.



1. Detach the pin ① from the shackle and insert the shackle bow ② into an applicable Rutgerson Pressure Absorbing Slide ③ (not included in the 1529 kit).



2. Place the two plastic parts ④ on each side of the shackle bow and press them together until the click.



3. Fasten the shackle pin through the threaded eye stud ⑤.

