

Rope Clutch RC120

Rutgerson's strong and reliable rope clutch RC120 is now available in two different versions to meet the trend towards thinner and more high-tech lines. The standard version RC120X optimized for 10-16mm lines, and the latest addition RC120S which can be used on 8-12mm lines. Both versions are offered as single, double and triple clutches allowing several lines to be used by a single winch.



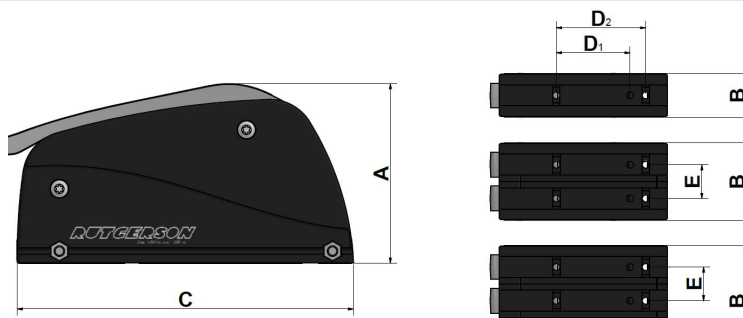
These clutches are specially developed for tough hold on modern line types like Dyneema, and the handle is equipped

with a clever needle bearing system to ensure easy line handling even during very high loads. It also has the same integrated low-friction sheave as the smaller model RC75, a unique solution allowing the line to run more smoothly which also results in less wear on the line.

Upgrading your RC120X to an RC120S is very easy as the mounting plate is the same on both versions. All you have to do is slide off the housing from the mounting plate, which is particularly convenient when upgrading to another version or inserting endless lines.

Like all our other products these clutches are designed and manufactured in our factory in Marstrand, Sweden. The housing is made of a high-strength composite, and the mounting plate and the cam are made of anodised aluminum.

Part No	Product description	Dimension [mm]					Rope Ø	Max load [kg]	Weight [gr]
		A Height	B Width	C Length	D x E Hole spacing				
Rope Clutch RC120S									
S601211	Single Rope Clutch RC120S	81	41	160	79 and 85 (M6 bolts)	8 - 12	850	624	
S601212	Double Rope Clutch RC120S	81	73	160	79 x 32 & 82 x 32 (M6 bolts)	8 - 12	850	1119	
S601213	Triple Rope Clutch RC 120S	81	105	160	79 x 32 & 82 x 32 (M6 bolts)	8 - 12	850	1621	
Rope Clutch RC120X									
S601201	Single Rope Clutch RC120X	81	41	160	79 and 85 (M6 bolts)	10 - 16	1200	624	
S601202	Double Rope Clutch RC120X	81	73	160	79 x 32 & 82 x 32 (M6 bolts)	10 - 16	1200	1119	
S601203	Triple Rope Clutch RC 120X	81	105	160	79 x 32 & 82 x 32 (M6 bolts)	10 - 16	1200	1621	





S601201 / S601211



S601202 / 601212



S601202 / 601213

Max holding load [kg]					
Rope diameter Ø					
Model	8mm	10 mm	12 mm	14 mm	16 mm
RC120S	600	750	850		
RC120X		750	900	1050	1200

Core benefits

- Suitable for 8-16mm lines
- Available with 1- 3 clutches
- High working load (max 1200kg)
- Smooth line handling
- Minimum wear
- Made in Sweden

Max holding load (kg) per rope diameter (mm)

