

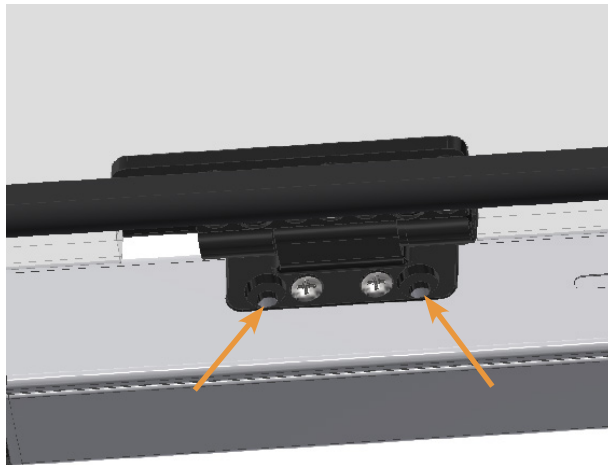
MASTER FLUSH HATCH SIZE 10, 20, 44, 60.

## User Manual for Rutgerson Master Flush Hatch

This manual describes how to install Rutgerson Master Flush Hatch on the deck of the boat. Please read the manual carefully and follow the instructions step by step.



1. Open hatch lid and lock the lid in the most open position (to be able to fasten the deck screws).
2. Place the hatch in the cut-out hole on deck.



3. Use deck screws with flat surface against the frame (not countersunk) to tighten the frame against deck. Remember to tighten the screws through hinges and that these need to be sealed with sealing compound, since they are positioned outside the silicone sealing. Note that the sealing function between deck and frame is a customer responsibility, so it is very important that the screws are tightened accurately.
4. Remove plastic film from acrylic glass.